

M-AUDIO®

TRANSIT PRO

User Guide	English
Guía del usuario	Español
Guide d'utilisation	Français
Guida per l'uso	Italiano
Benutzerhandbuch	Deutsch

Technical Specifications

Connections: (1) 1/8" (3.5mm) analog/digital

(1) 1/8" (3.5mm) stereo headphone

(1) 1/4" (6.35mm) stereo headphone

(1) USB port

Sampling Rates: 44.1, 48, 88.2, 96, 176.4, 192, 352.8, 384 kHz

Direct Stream Digital Rates: DSD64, DSD128

Power: USB or power adapter (5 VDC, 500 mA, center-positive, sold separately)

Dimensions (WxDxH): 2.6" x 3.7" x 1.2" / 67 x 94 x 30 mm

Weight: 0.39 lbs. / 0.18 kg

Specifications are subject to change without notice. Manual Version 1.1

Safety & Compliance Notices: Notice Concerning FCC Regulations: You are cautioned that changes or modifications not expressly approved by the part responsible for compliance could void the user's authority to operate the equipment. This equipment has been tested and found to comply with the limits for a Class B digital device, pursuant to Part 15 of the FCC rules. These limits are designed to provide reasonable protection against harmful interference in a residential installation. This equipment generates uses and can radiate radio frequency energy and, if not installed and used in accordance with the instructions, may cause harmful interference to radio communications. However, there is no guarantee that interference will not occur in a particular installation. If this equipment does cause harmful interference to radio or television reception, which can be determined by turning the equipment off and on, the user is encouraged to try to correct the interference by one or more of the following measures: (a) Reorient or relocate the receiving antenna; (b) move this unit; (c) increase the separation between the equipment and receiver; (d) connect the equipment into an outlet on a circuit different from that to which the receiver is connected; (e) be sure that all cables are properly shielded, using a choke or ferrite where appropriate; (f) consult the dealer or an experienced radio/television technician for help.



This device complies with Part 15 of the FCC rules. Operation is subject to the following two conditions: (1) this device may not cause harmful interference, and (2) this device must accept any interference received, including interference that may cause undesired operation.

FCC RF Radiation Exposure Statement: This equipment complies with FCC radiation exposure limits set forth for an uncontrolled environment. End users must follow the specific operating instructions for satisfying RF exposure compliance. This transmitter must not be co-located or operating in conjunction with any other antenna or transmitter. For best audio quality, avoid using this device in a high RF-radiated environment. **RSS Statement for Canadian models:** This device complies with Industry Canada licence-exempt RSS standard(s). Operation is subject to the following two conditions: (1) this device may not cause interference, and (2) this device must accept any interference, including interference that may cause undesired operation of the device. This unit does not exceed the Class B limits for radio noise emission from digital apparatus set out in the radio interference regulations of the Canadian Department of Communications.



ESD/EFT Warning: This unit may contain a microcomputer for signal processing and control functions. In very rare situations, severe interference, noise from an external source, or static electricity may cause it to lock up. In the unlikely event that this should happen, turn off the unit, wait at least five seconds, and then turn it back on again. In an environment with radio frequency interference, the unit may malfunction and resume normal operation after removal of the interference.

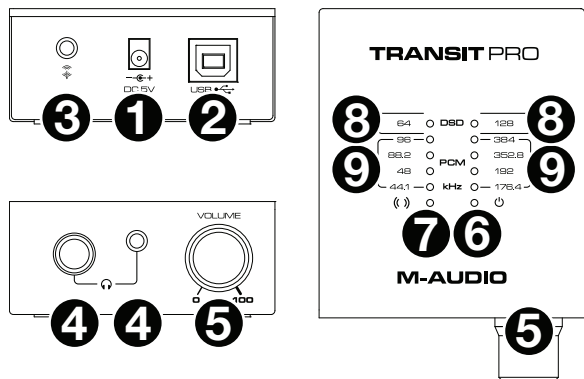
Trademarks and Licenses: M-Audio is a trademark of inMusic Brands, Inc., registered in the U.S. and other countries. Direct Stream Digital (DSD) and Sony are trademarks or registered trademarks of Sony Corporation or any of its affiliates. TOSLINK® is a registered trademark of Toshiba Corporation. All other product or company names are trademarks or registered trademarks of their respective owners.

User Guide (English)

For more information about this product (system requirements, compatibility information, etc.), product registration, or product support, visit m-audio.com. For safety and warranty information, visit m-audio.com/warranty.

Package Contents: Transit Pro, USB cable, 1/8"-to-stereo-RCA cable, 1/8"-to-TOSLINK® digital cable, User Guide

Windows users: Visit m-audio.com/drivers to download the necessary Windows drivers for Transit Pro.



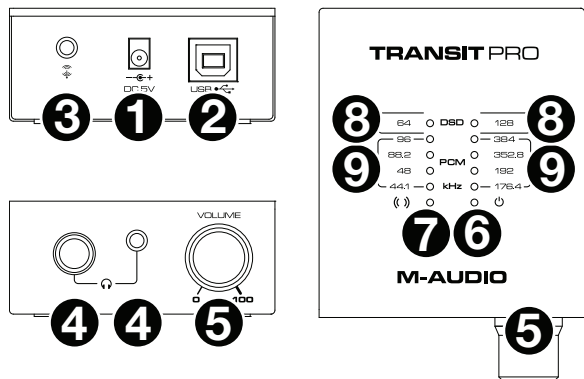
- Power Input:** Use a power adapter (5 VDC, 500 mA, center-positive, sold separately) to connect this input to a power outlet.
- USB Port:** Insert this connector to a USB port on your computer (powered on).
- Main Output:** Use an 1/8" (3.5mm) stereo cable to connect this output to the analog input of an active speaker. Alternatively, connect it to the digital input of a receiver.
- Headphone Output:** Connect standard 1/4" (6.35mm) or 1/8" (3.5mm) stereo headphones to either of these outputs.
- Volume:** Turn this knob to set the volume of the **main output** and **headphone output**.
- Power Indicator:** This light illuminates when Transit Pro is powered on.
- Analog Output Indicator:** This light illuminates when Transit Pro is successfully sending an analog signal out of its left/right analog outputs.
- DSD Indicators:** One of these lights illuminates to indicate its current Direct Stream Digital rate: **DSD64** or **DSD128**.
- Sampling Rate Indicators:** One of these lights illuminates to indicate which sampling rate Transit Pro is currently using: 44.1, 48, 88.2, 96, 176.4, 192, 352.8, or 384 kHz.

Guía del usuario (Español)

Para más información acerca de este producto (requisitos de sistema, información de compatibilidad, etc.), registro o soporte del producto, visite m-audio.com. Para información sobre la seguridad y la garantía, visite m-audio.com/warranty.

Contenido del paquete: Transit Pro, cable USB, cable de 3,5 mm (1/8 pulg.) a RCA estéreo, cable digital de 3,5 mm (1/8 pulg.) a TOSLINK®, guía del usuario

Usuarios de Windows: Visitar m-audio.com/drivers para descargar los drivers de Windows necesarios para Transit Pro.



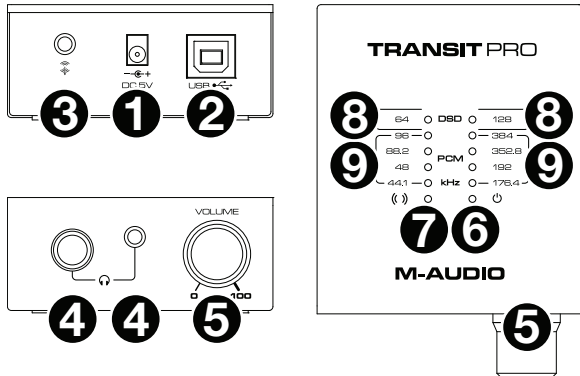
- Entrada de corriente:** Utilice un adaptador de corriente (5 V CC, 500 mA, centro positivo, que se vende por separado) para conectar esta entrada a una toma de corriente.
- Puerto USB:** Inserte este conector en un puerto USB de su ordenador (encendido).
- Salida principal:** Utilice un cable estéreo de 3,5 mm (1/8 pulg.) para conectar esta salida a la entrada analógica de un altavoz activo. Como alternativa, conéctela a la entrada digital de un receptor.
- Salida para auriculares:** Conecte auriculares estéreo estándar de 6,35 mm (1/4 pulg.) o de 3,5 mm (1/8 pulg.) a cualquiera de estas salidas.
- Volumen:** Gire esta perilla para ajustar el volumen de la **salida principal** y la **salida para auriculares**.
- Indicador de encendido:** Esta luz se ilumina cuando el Transit Pro está encendido.
- Indicador de salida analógica:** Esta luz se enciende cuando el Transit Pro envía exitosamente una señal de salida analógica a sus salidas analógicas izquierda/derecha.
- Indicadores DSD:** Una de estas luces se ilumina para indicar su tasa actual de Direct Stream Digital: **DSD64** o **DSD128**.
- Indicadores de frecuencia de muestreo:** Una de estas luces se enciende para indicar qué frecuencia de muestreo está utilizando el Transit Pro en ese momento: 44,1, 48, 88,2, 96, 176,4, 192, 352,8 o 384 kHz.

Guide d'utilisation (Français)

Pour plus d'informations sur la configuration système requise, la compatibilité, etc., l'enregistrement du produit ou de l'assistance technique concernant ce produit, veuillez visiter m-audio.com. Pour consulter les consignes de sécurité et informations concernant la garantie, veuillez visiter le site m-audio.com/warranty.

Contenu de l'emballage : Transit Pro, câble USB, câble adaptateur 3,5 mm vers RCA stéréo, câble adaptateur 3,5 mm vers TOSLINK®, guide d'utilisation

Utilisateurs Windows : Veuillez visiter le site m-audio.com/drivers pour télécharger les pilotes Windows nécessaires pour utiliser le Transit Pro.

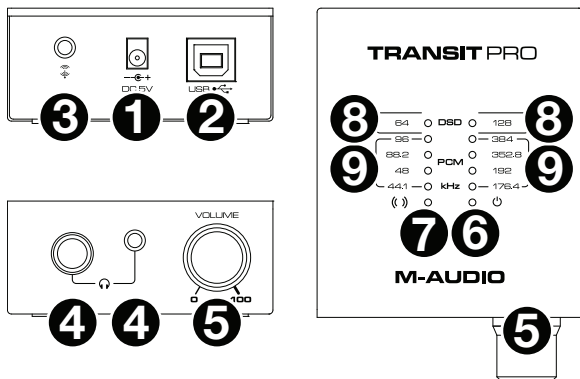


Guida per l'uso (Italiano)

Per maggiori informazioni in merito a questo prodotto (requisiti di sistema, informazioni sulla compatibilità, ecc.), per la registrazione del prodotto e per assistenza recarsi alla pagina m-audio.com. Per informazioni sulla sicurezza e in merito alla garanzia, recarsi alla pagina m-audio.com/warranty.

Contenuti della confezione: Transit Pro, cavo USB, cavo RCA da 3,5 mm (1/8") a stereo, cavo digitale da 3,5 mm (1/8") a TOSLINK®, guida per l'uso

Utenti Windows: recarsi alla pagina m-audio.com/drivers per scaricare i necessari driver Windows per Transit Pro.

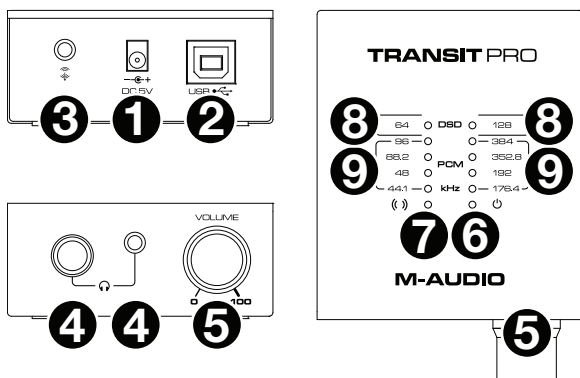


Benutzerhandbuch (Deutsch)

Für aktuelle Informationen zu diesem Produkt (Systemanforderungen, Informationen zur Kompatibilität etc.), zur Produktregistrierung und den Support besuchen Sie bitte m-audio.com. Die Sicherheits- und Garantiefinformationen finden Sie unter m-audio.com/warranty.

Lieferumfang: Transit Pro, USB-Kabel, 3,5mm-auf-Stereo-Cinch-Kabel, 3,5mm-auf-TOSLINK® Digitalkabel, Benutzerhandbuch

Windows-Benutzer: Besuchen Sie m-audio.com/drivers, um die notwendigen Windows-Treiber für Transit Pro herunterzuladen.



- 1. Entrée d'alimentation :** Branchez un câble d'alimentation secteur (5 V CC, 500 A, centre positif, vendu séparément) à cette entrée, puis branchez l'autre l'extrémité à une prise secteur.
- 2. Port USB :** Reliez ce connecteur au port USB de votre ordinateur alors qu'il est sous tension.
- 3. Sortie principale :** Utilisez un câble 3,5 mm stéréo pour relier cette sortie à l'entrée analogique d'une enceinte active. Vous pourriez également le brancher à l'entrée numérique d'un récepteur.
- 4. Sorties casque :** Ces sorties permettent de brancher un casque stéréo 6,35 mm ou 3,5 mm.
- 5. Volume :** Ce bouton permet de régler le volume de la **sortie principale** et de la **sortie casque**.
- 6. Indicateur d'alimentation :** Ce témoin s'allume lorsque le Transit Pro est sous tension.
- 7. Indicateur de sortie analogique :** Ce témoin s'allume lorsque le Transit Pro transmet un signal analogique sur ses sorties analogiques gauche/droite.
- 8. Indicateurs DSD :** Un de ces indicateurs s'allume pour indiquer le taux Direct Stream Digital : **DSD64** ou **DSD128**.
- 9. Indicateurs de fréquence d'échantillonnage :** Un de ces indicateurs s'allume pour indiquer la fréquence d'échantillonnage actuellement utilisée par le Transit Pro : 44,1, 48, 88,2, 96, 176,4, 192, 352,8 o 384 kHz.

- 1. Ingresso di alimentazione:** servirsi di un adattatore di alimentazione (5 VCC, 500 mA, polo centrale positivo, venduto separatamente) per collegare questo ingresso a una presa elettrica.
- 2. Porta USB:** Inserire questo connettore in una porta USB del computer (acceso).
- 3. Uscita Main:** servirsi di un cavo stereo da 3,5 mm (1/8") per collegare questa uscita all'ingresso analogico di un altoparlante attivo. Alternativamente, collegarla all'ingresso digitale di un ricevitore.
- 4. Uscita cuffie:** collegare cuffie stereo standard da 6,35 mm (1/4") o da 3,5 mm (1/8") a una di queste uscite.
- 5. Volume:** girare questa manopola per regolare il volume dell'**uscita principale (main)** e dell'**uscita cuffie**.
- 6. Indicatore di alimentazione:** si illumina quando il Transit Pro viene acceso.
- 7. Indicatore di uscita analogica:** questa spia si illumina quando il Transit Pro invia un segnale analogico di uscita dalle sue uscite analogiche sinistra/destra.
- 8. Indicatori DSD:** uno di questi si illumina per indicare la sua frequenza corrente di streaming digitale diretto. **DSD64** o **DSD128**.
- 9. Indicatori di frequenza di campionamento:** una di queste spie si illumina per indicare quale frequenza di campionamento sta attualmente utilizzando il Transit Pro: 44,1, 48, 88,2, 96, 176,4, 192, 352,8 o 384 kHz.

- 1. Stromversorgung:** Verwenden Sie ein Netzteil (5 VDC, 500 mA, mittlerer Pin mit positiver Polarität), um diesen Eingang mit Ihrer Stromquelle zu verbinden.
- 2. USB-Anschluss:** Verbinden Sie diesen Stecker mit einem USB-Port Ihres (eingeschalteten) Computers.
- 3. Hauptausgang:** Verwenden Sie ein 3,5 mm Stereokabel, um diesen Ausgang mit dem Analogeingang eines Aktivlautsprechers zu verbinden. Alternativ schließen Sie es an den digitalen Eingang eines Empfängers an.
- 4. Kopfhörerausgang:** Verbinden Sie einen handelsüblichen 6,35 mm oder 3,5 mm Stereokopfhörer mit einem oder beiden Analogausgängen.
- 5. Lautstärke:** Drehen Sie diesen Regler, um die Lautstärke des **Hauptausgangs** und des **Kopfhörerausgangs** anzupassen.
- 6. Netzanzeige:** Dieses Licht leuchtet auf, wenn Transit Pro eingeschaltet ist.
- 7. Analoge Ausgangsanzeige:** Dieses Licht leuchtet auf, wenn Transit Pro ein analoges Signal erfolgreich an die linken/rechten Analogausgänge sendet.
- 8. DSD-Anzeige:** Eines dieser Lichter beginnt zu leuchten, um die aktuelle Direct Stream Digital-Rate anzuzeigen: **DSD64** oder **DSD128**.
- 9. Abtastraten-Anzeigen:** Eines dieser Lichter beginnt zu leuchten, um anzuzeigen, welche Abtastrate Transit Pro derzeit verwendet: 44.1, 48, 88.2, 96, 176.4, 192, 352.8 oder 384 kHz.